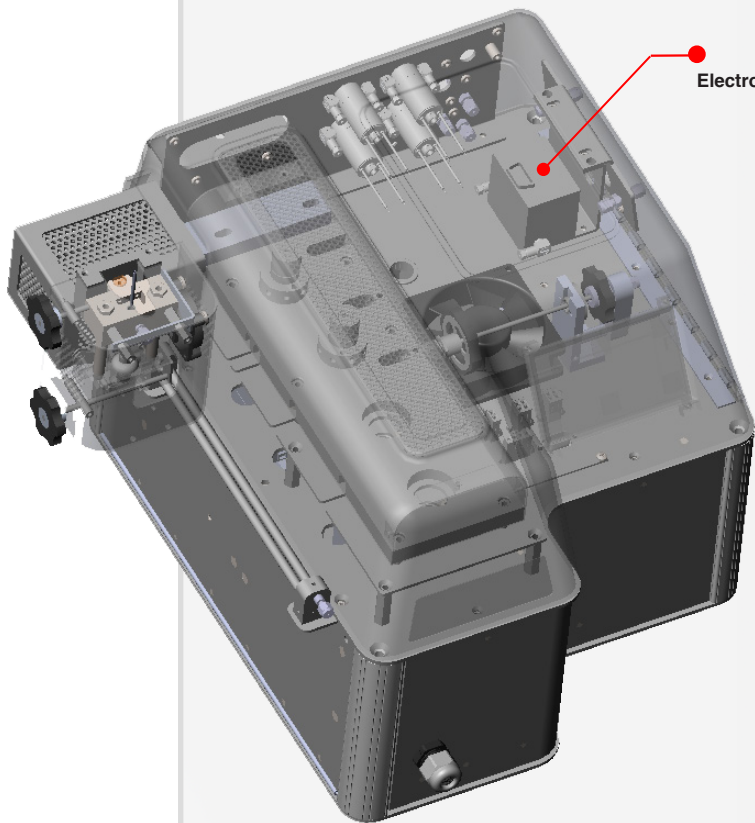
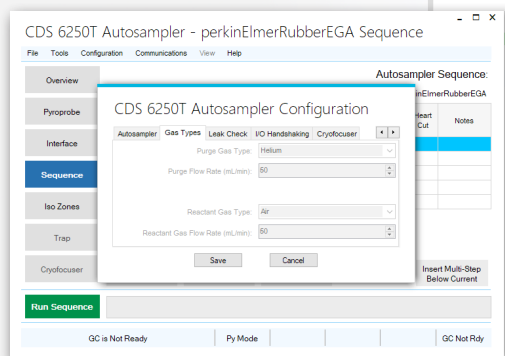
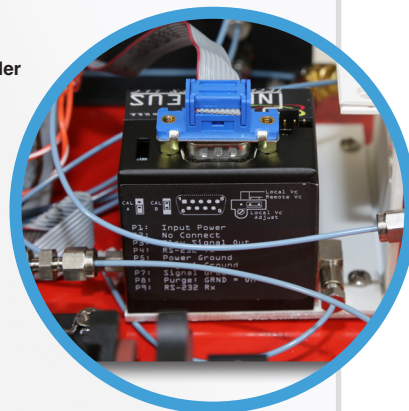


The Electronic Mass Flow Controller provides a way to precisely introduce programmable amount of reactant gas (O<sub>2</sub>, N<sub>2</sub>, He, CO<sub>2</sub>, Air) into the DISC chamber for kinetic studies.



Electronic Mass Flow Controller



Setting tab through Digital Control Interface (DCI)

### Technical Specifications:

|                         | Electronic Mass Flow Controller   |
|-------------------------|---|
| Flow Range              | 0-100 ml/min  |
| Supported Gas           | Air, CO <sub>2</sub> , He, H <sub>2</sub> , N <sub>2</sub> , O <sub>2</sub> |
| Linearity Error         | ± 1 ml/min  |
| Repeatability           | ± 0.15 ml/min   |
| Response Time           | 40 ms   |
| Flow Sensor             | Ceramic Flow Tube (non-out gassing)   |
| Temperature Coefficient | 0.09% / °C  |